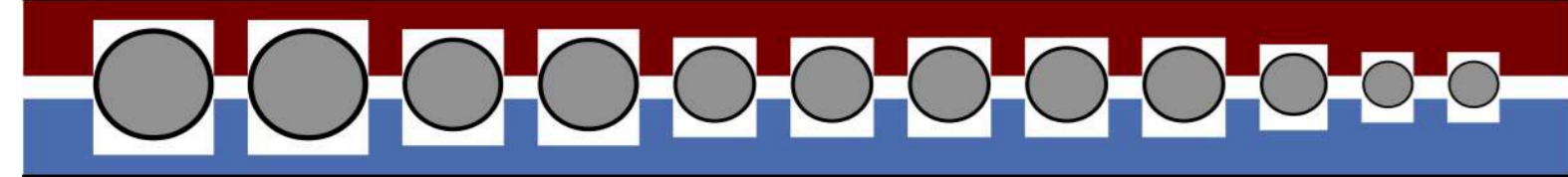
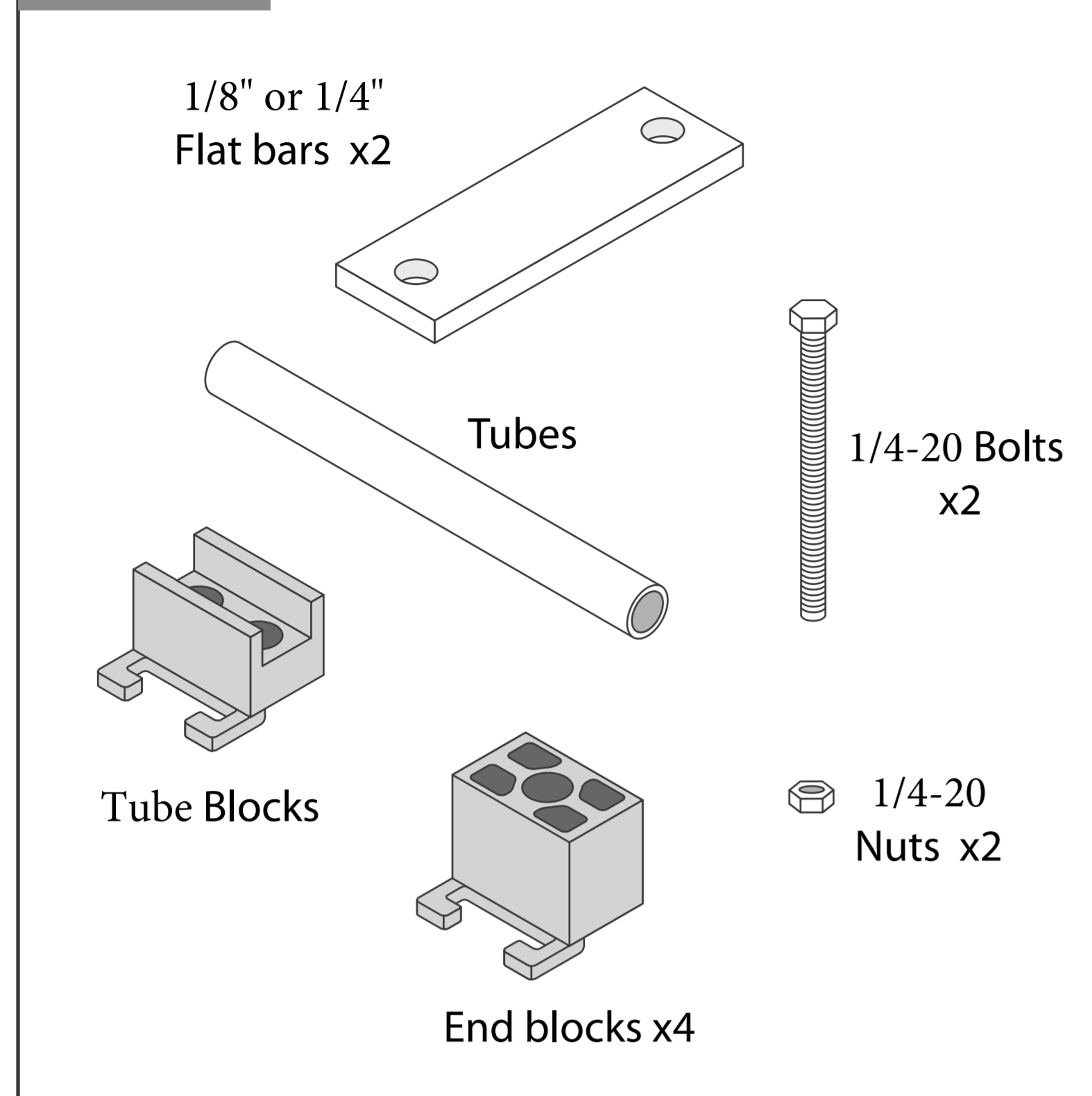


MODULAR CLAMP

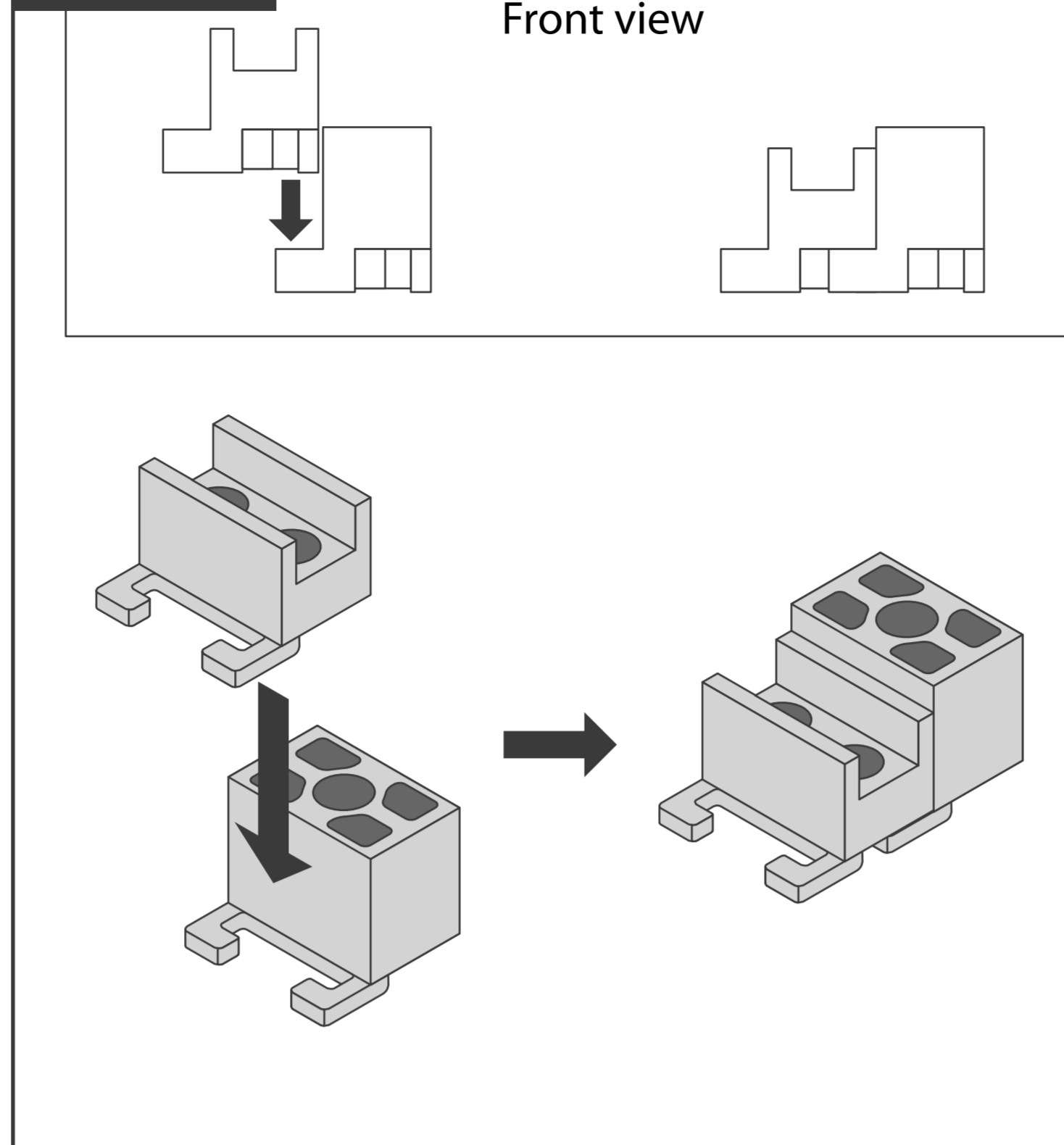


Assembly Instructions

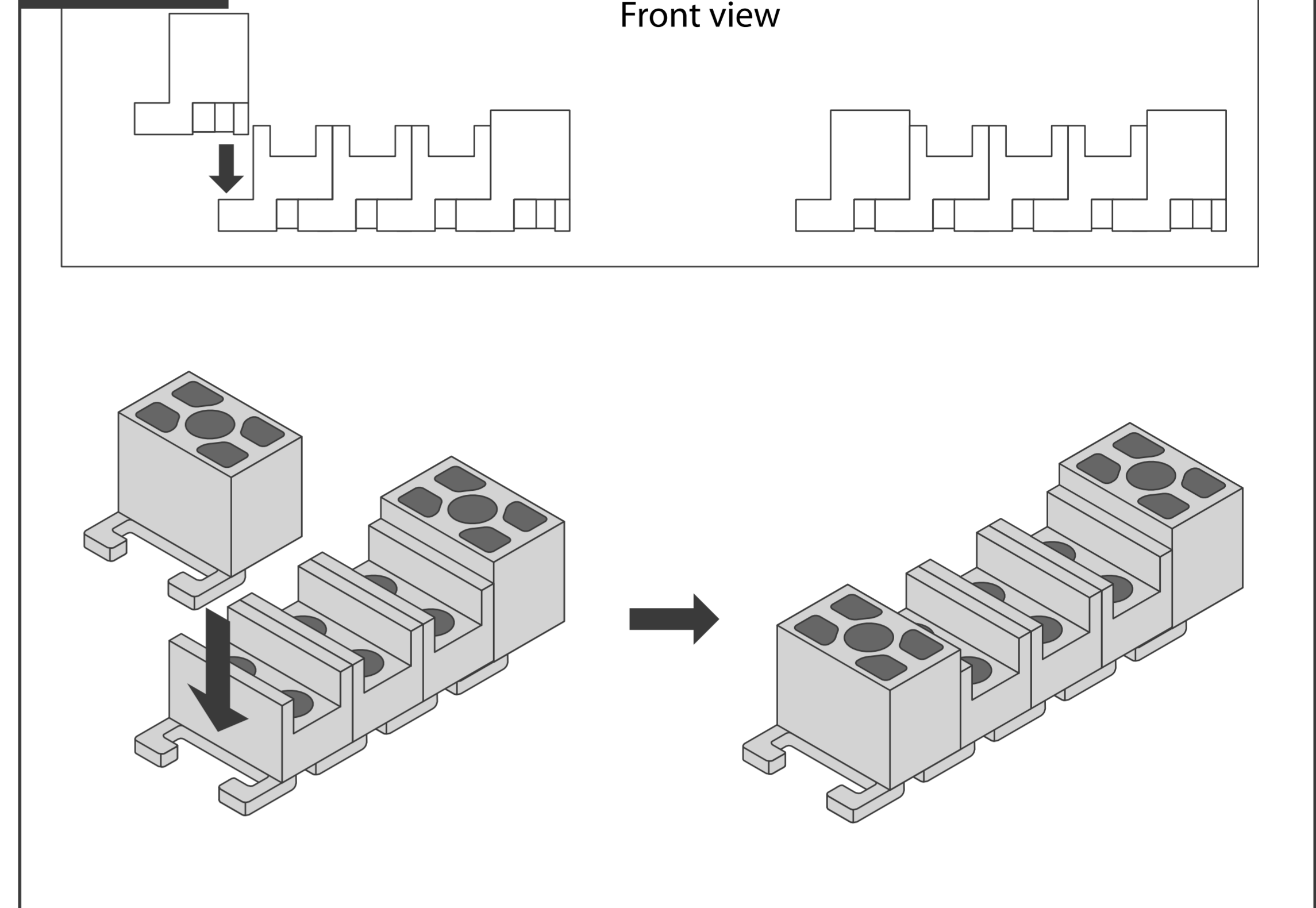
PARTS



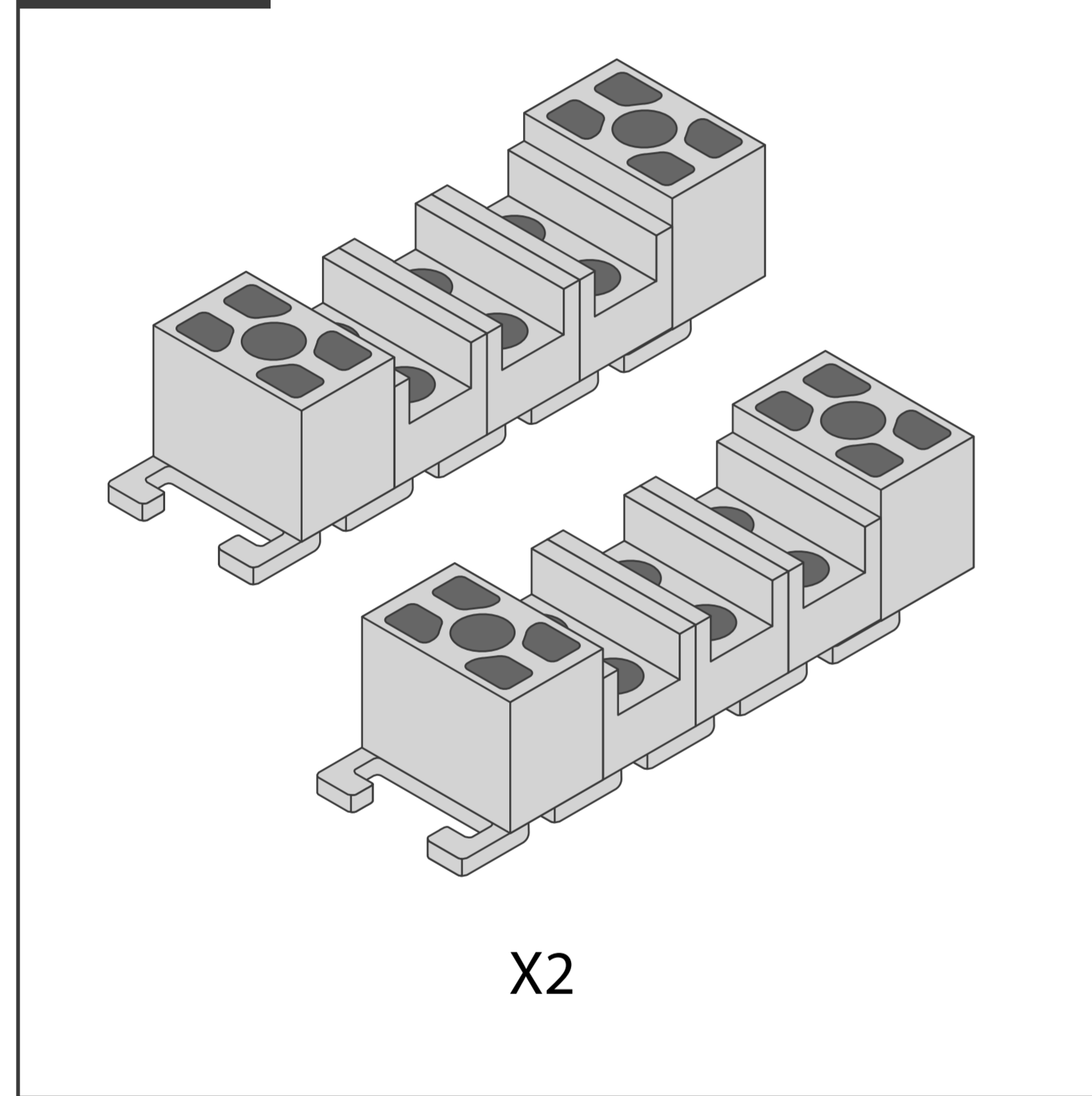
STEP 1



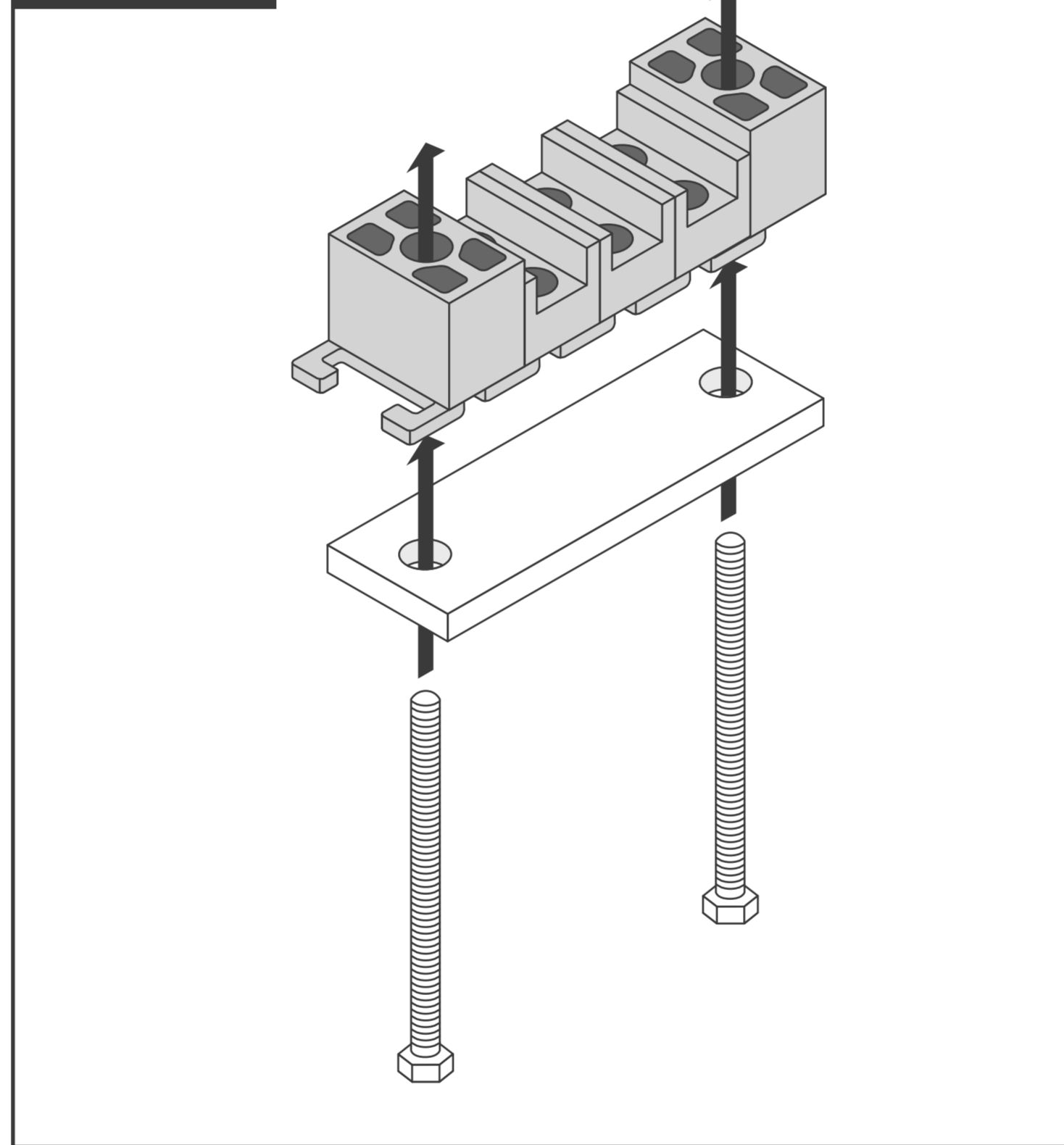
STEP 2



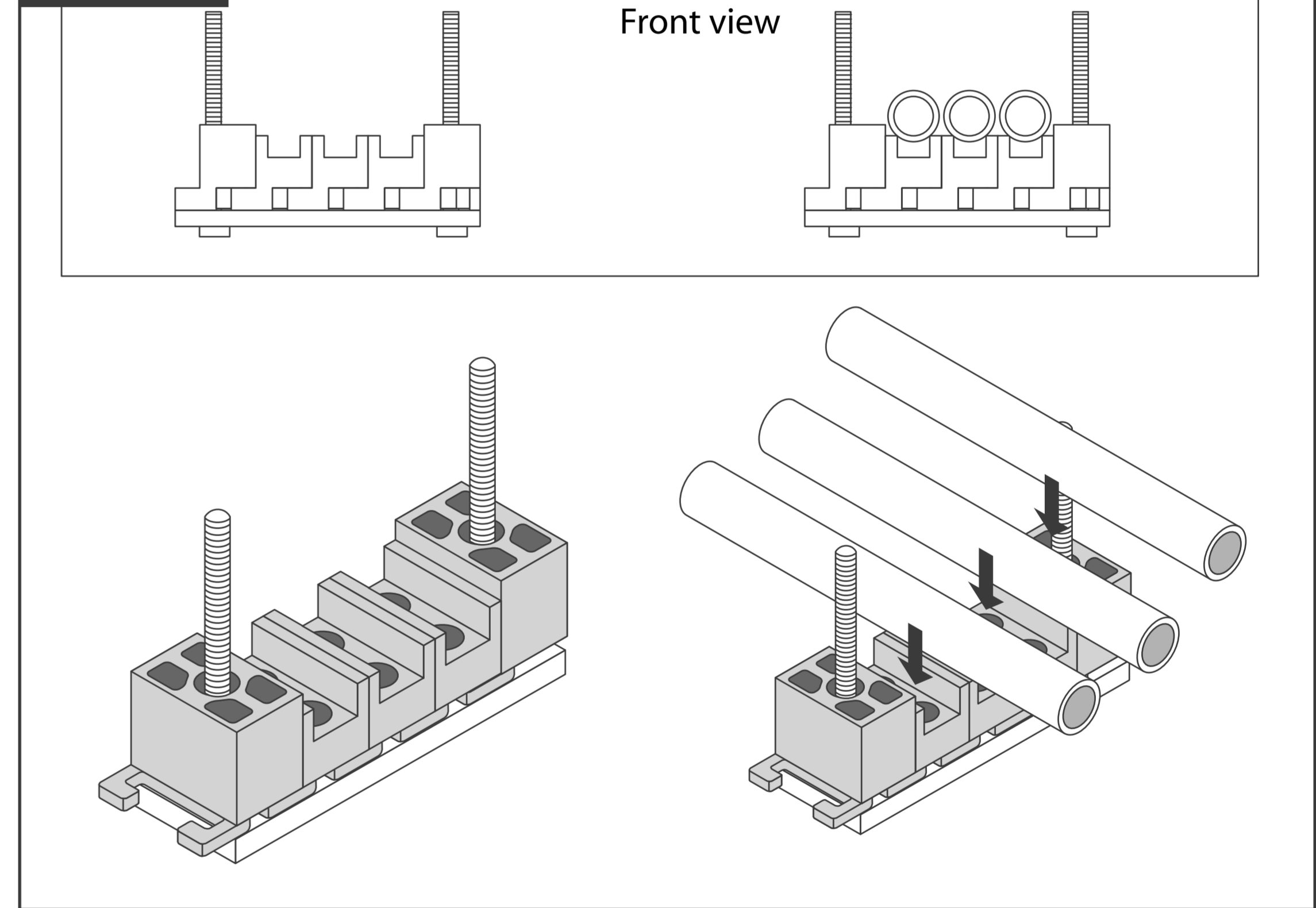
STEP 3



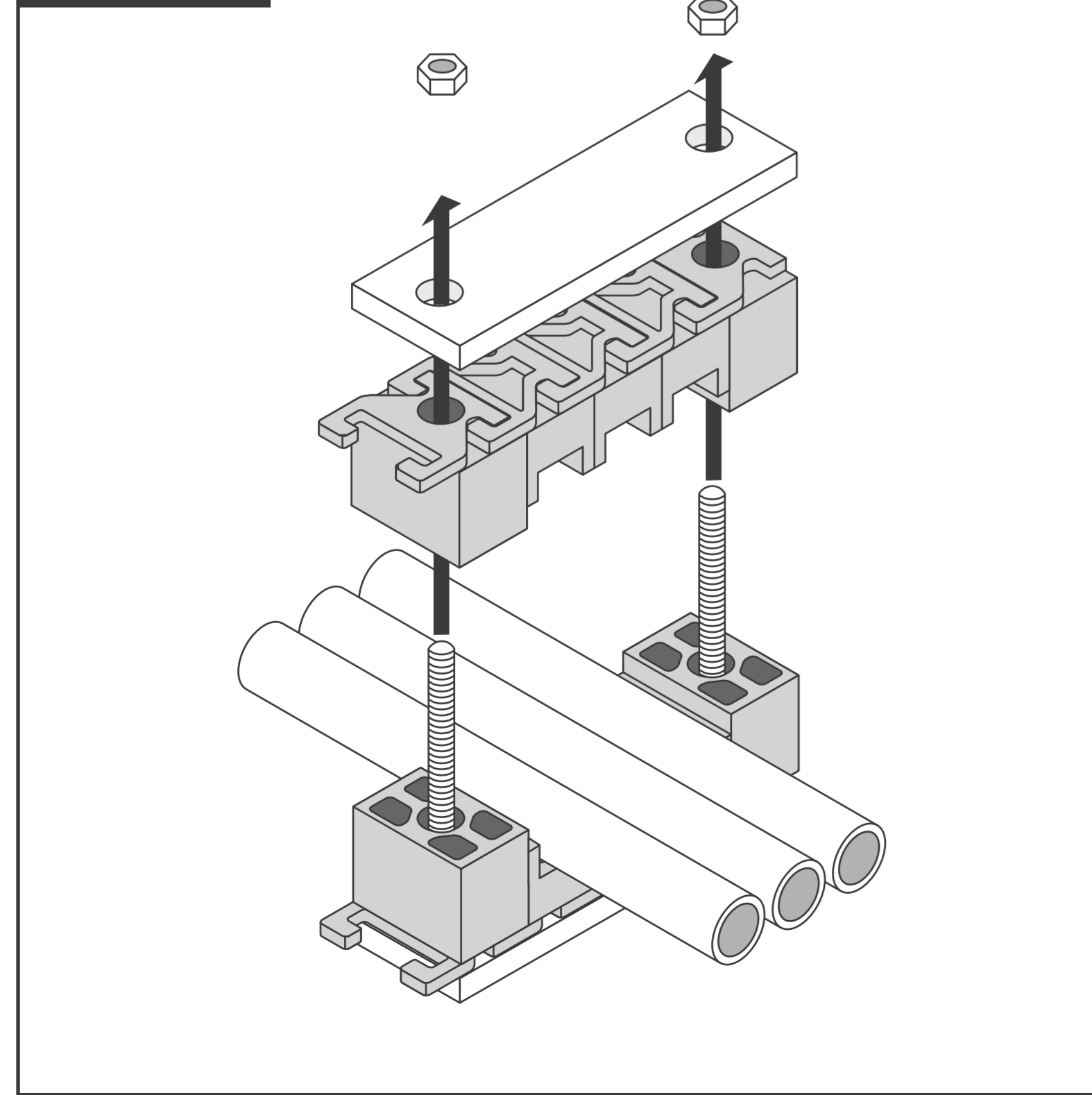
STEP 4



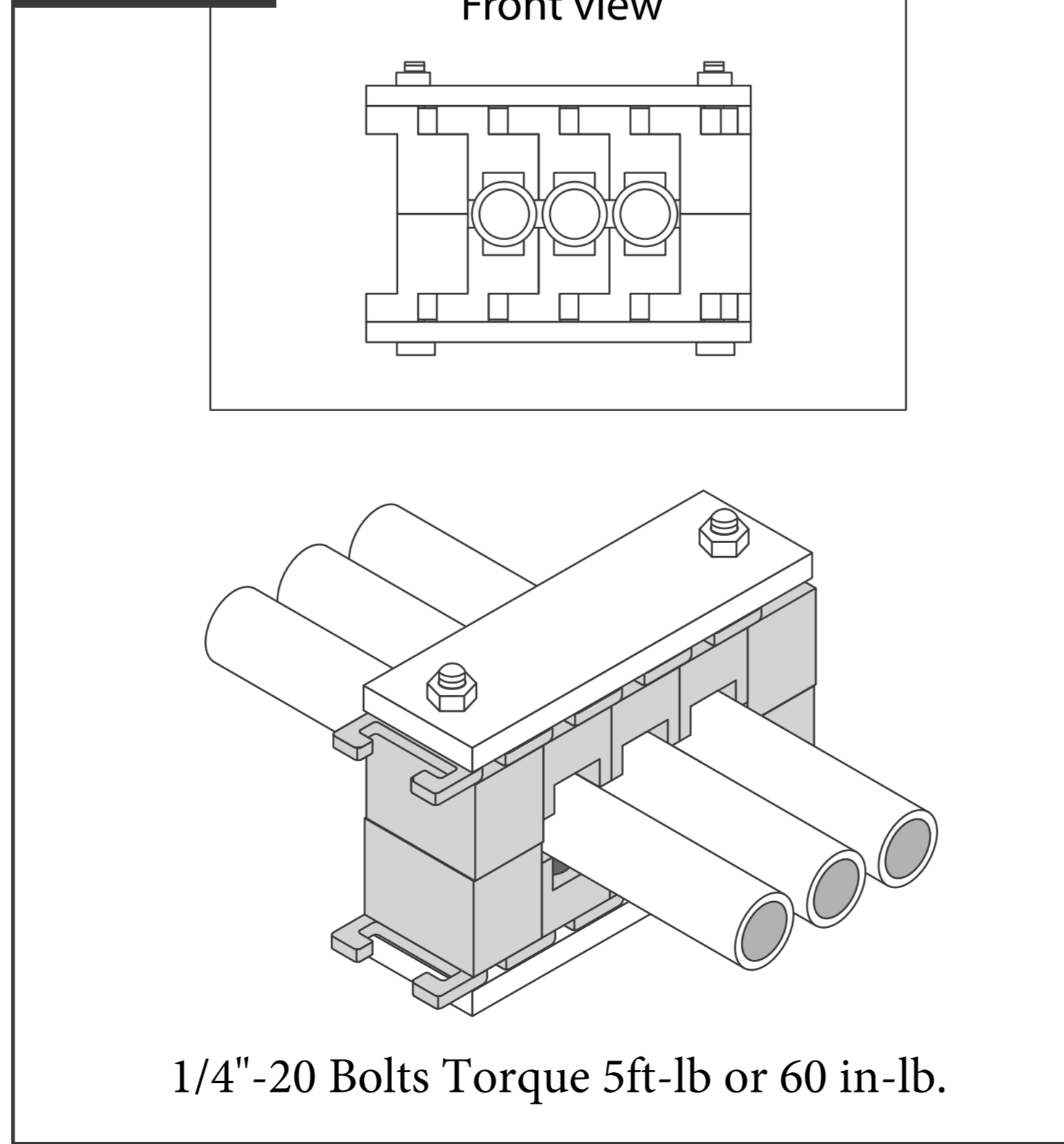
STEP 5



STEP 6



STEP 7



OTHER CONFIGURATIONS

